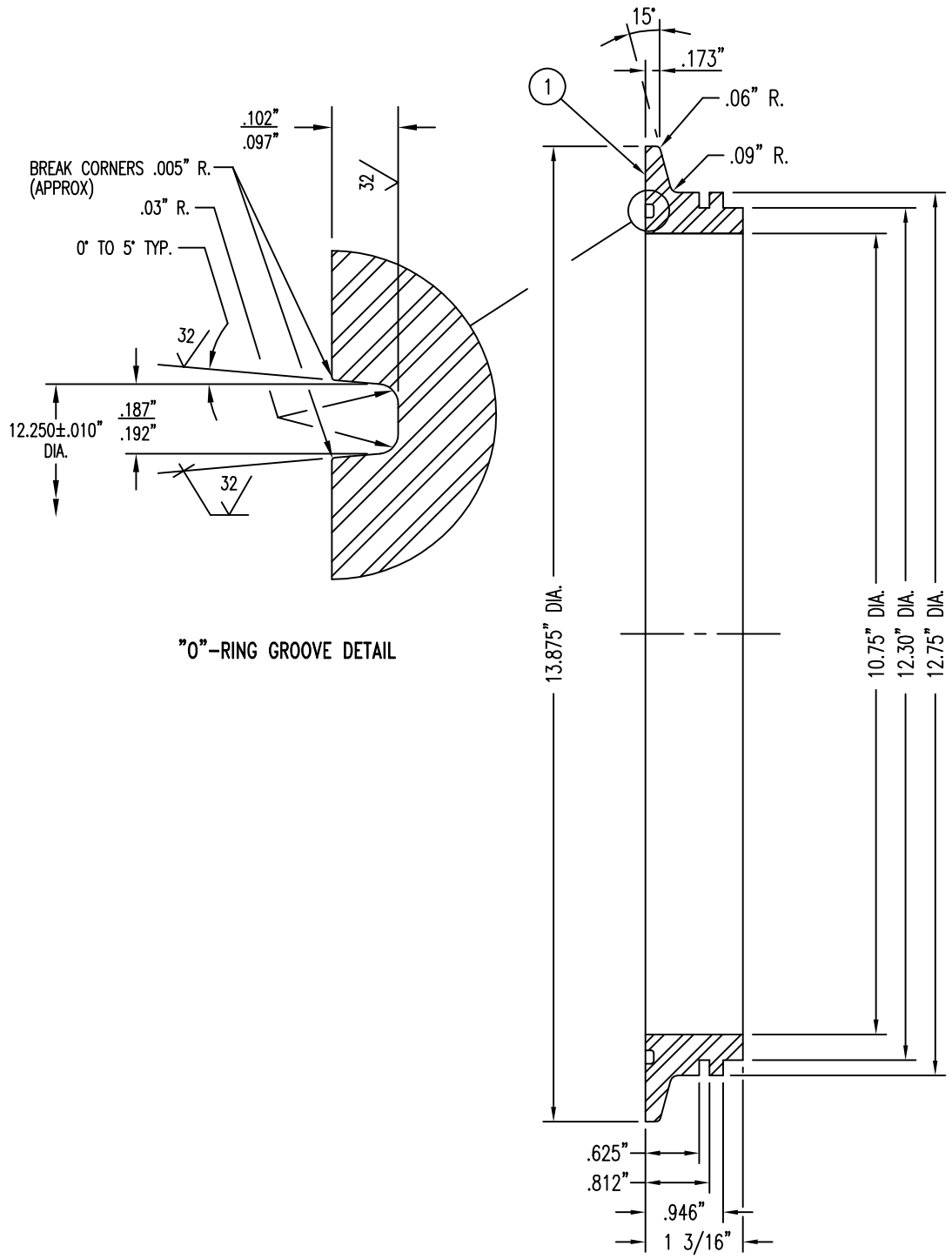


REVISIONS

CHG.	DATE	DWN.	CHK'D.	APP'D.	REV'D.	DESCRIPTION

BILL OF MATERIAL						
NO. REQ'D.	ITEM	PART NUMBER	DWG. SIZE	DESCRIPTION	MATERIAL	
1	1	COM'L		RING, - MACHINED, 13.875" O.D. (+1/16"/-0") x 10.75" I.D. (+0/-1/16") x 1 1/4" THK. MUST BE CONCENTRIC WITHIN .030" - .050".	SST ASTM A240 304L	



STANDARD PRODUCT

- BREAK ALL SHARP CORNERS AND EDGES, .005" MAX.
- ALL MACHINED SURFACE TO BE 64 RMS UNLESS OTHERWISE SPECIFIED.

INFORMATION SHOWN ON THIS DRAWING IS PROPRIETARY AND THE SOLE PROPERTY OF AND IS NOT TO BE REPRODUCED, DISCLOSED OR TRANSMITTED TO OTHERS FOR ANY PURPOSE NOT AUTHORIZED BY.

WEIGHT	WORK ORDER	CONTRACT NO.	PART NUMBER	NO. REQ'D	NEXT ASSEMBLY	SIZE
	AHH 07/25/00					
DRAWN		TOLERANCES	8" x 12" MALE BAYONET COVER MACHINED FLANGE			
CHECKED		FRACTION ±1/16"				
ENGINEER		.XX ±.010"				
APPROVED		.XXX ±.005"				
REVIEWED		ANGULAR ±1/2"	SIZE	DRAWING NO.	CHG.	
RELEASE DATE		CODE IDENT. NO.	A	11-2505-01212	N/C	
			19879			
			AUTOCAD DWG. PLOT SCALE 1=2	SCALE NONE	SHEET 1 OF 1	

11-2505-01212 SH. 1

