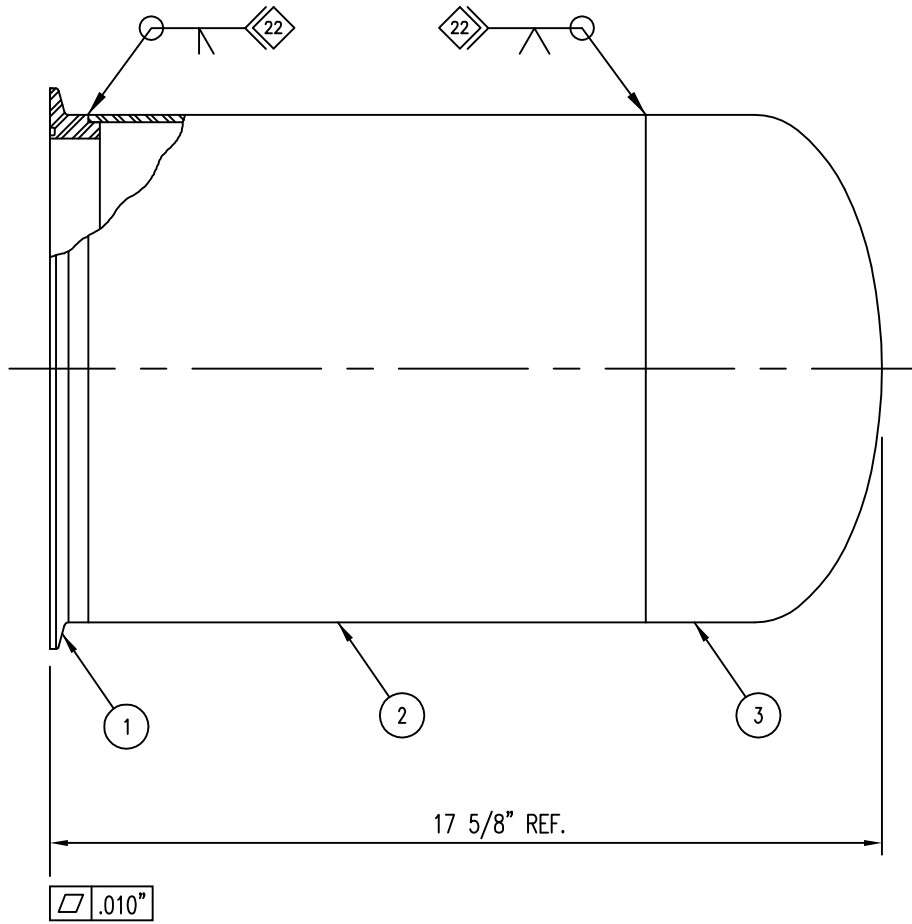


BILL OF MATERIAL					
NO. REQ'D.	ITEM	PART NUMBER	DWG. SIZE	DESCRIPTION	MATERIAL
1	1	11-2505-01212	A	FLANGE,- MACHINED DETAIL	
1	2	COM'L		PIPE,- 12" NPS, SCH #10 x 10.679" LG.~ WELDED	SST ASTM A312 TP304L
1	3	COM'L		WELD CAP,- 12" NPS, SCH #10	SST ASTM A403 WP304L

REVISIONS

CHG.	DATE	DWN.	CHK'D.	APP'D.	REV'D.	DESCRIPTION



STANDARD PRODUCT

- 2. WELD PER CVI SPEC. 35-9000 22 35-3010, LATEST REV.
- 1. BREAK ALL SHARP CORNERS AND EDGES, .005" MAX.

INFORMATION SHOWN ON THIS DRAWING IS PROPRIETARY AND THE SOLE PROPERTY OF AND IS NOT TO BE REPRODUCED, DISCLOSED OR TRANSMITTED TO OTHERS FOR ANY PURPOSE NOT AUTHORIZED BY:

WEIGHT	WORK ORDER	CONTRACT NO.	PART NUMBER	NO. REQ'D	NEXT ASSEMBLY	SIZE
	AHH 07/25/00					
DRAWN		TOLERANCES		TITLE 8" x 12" MALE BAYONET COVER WELDMENT		
CHECKED		FRACTION	±1/16"			
ENGINEER		.XX	±.010"			
APPROVED		.XXX	±.005"			
REVIEWED		ANGULAR	±1/2"	CODE IDENT. NO.		
RELEASE DATE				19879	SIZE	DRAWING NO.
				A	11-2505-01210	CHG.
					N/C	
AUTOCAD DWG. PLOT SCALE 1=2				SCALE	NONE	SHEET 1 OF 1

GENERAL NOTES:

11-2505-01210 SH. 1

N/C