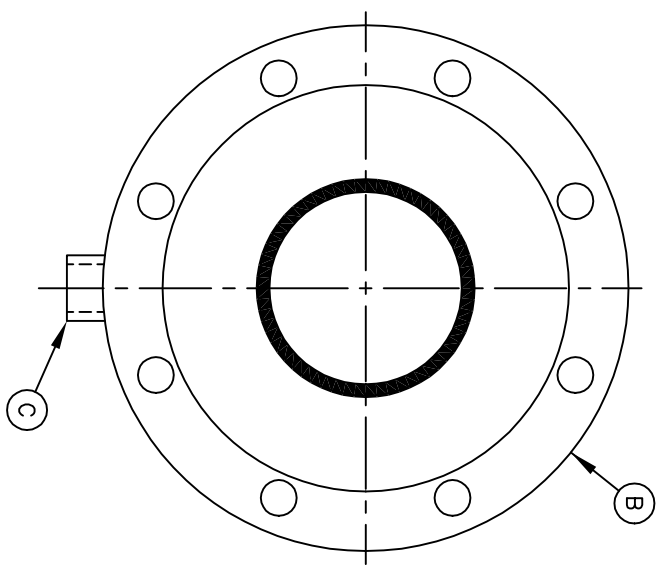
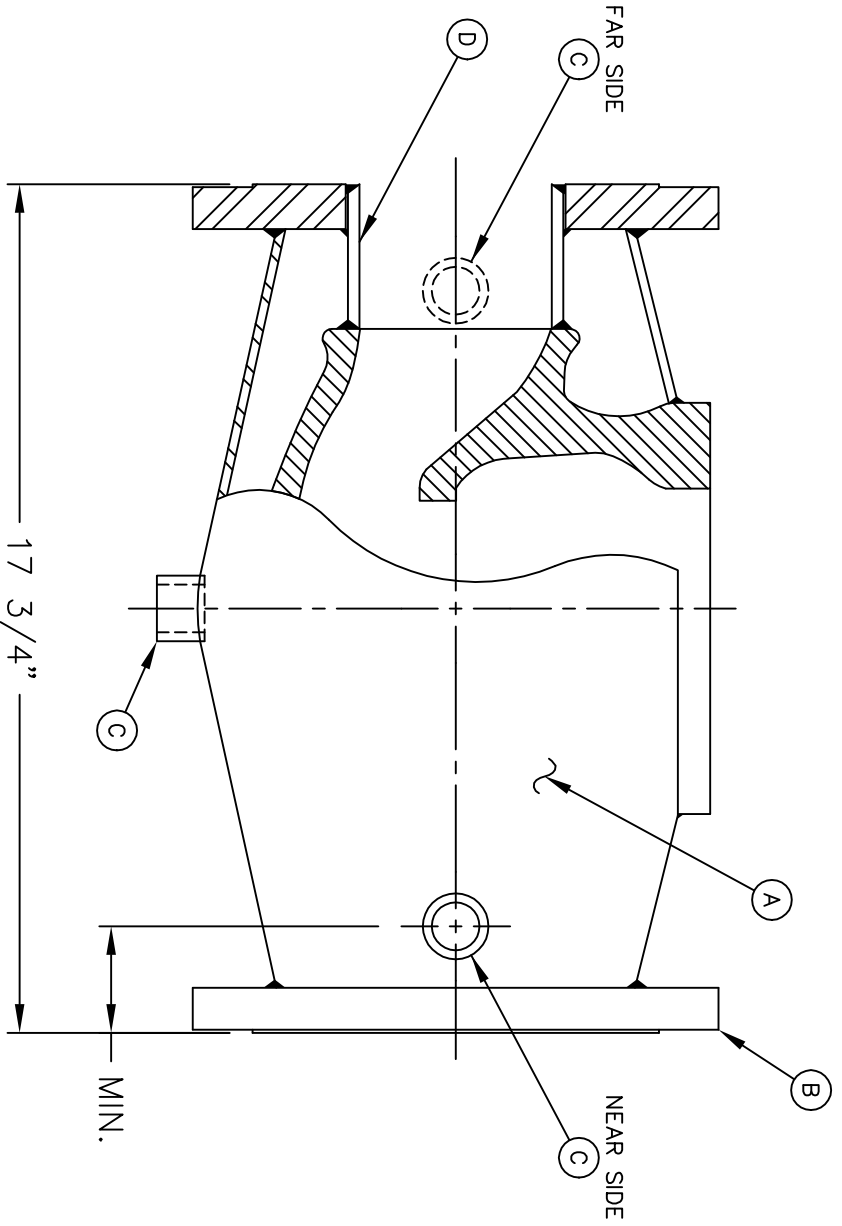


SALES # : 4024 JOB # : 10369
 CUSTOMER P.O. # : 106 FR98-2558A
 CUSTOMER PART # : N/A

ITEM	QTY.	DESCRIPTION
A	A/R	3/16" SA240 316/316L S/S PLATE
B	2	6"-150# SA182 316/316L S/S RF FLANGE
C	3	3/4"-3000# SA182 316/316L S/S FNPT HALF COUPLING
D	A/R	4" SCH.40 SA312 316/316L S/S PIPE



- NOTES:
- 1) JACKET RATED FOR 150 PSIG @ 365 F.
 - 2) TOLERANCES ± 1/8"

CLIENT		DRW. BY	CHECKED	DATE
		AHH		
FULL FABRICATED JACKET FOR A FISHER 4"-150# MODEL EZ CONTROL VALVE				
APP. BY	DATE	SCALE	DRAWING NO.	REV.
		1=4	10369	0